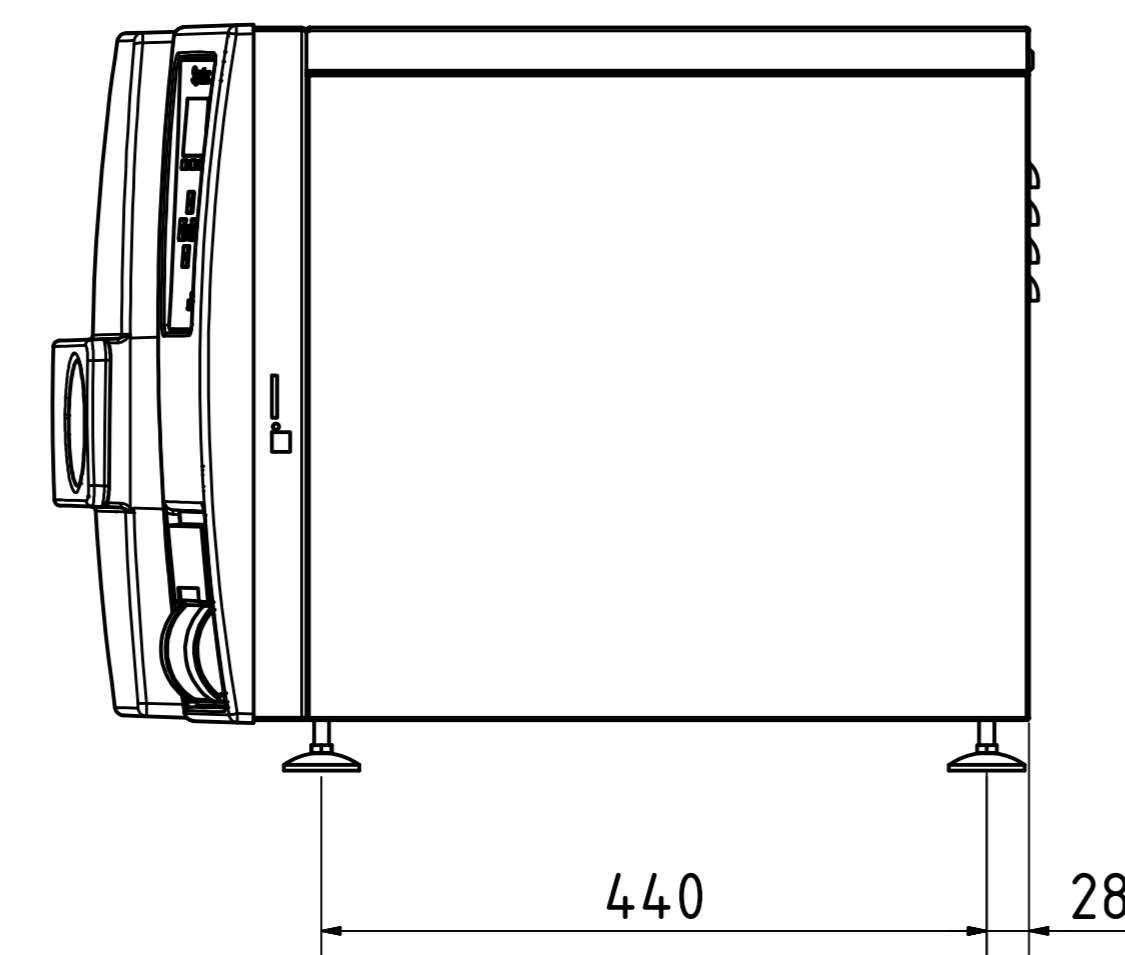
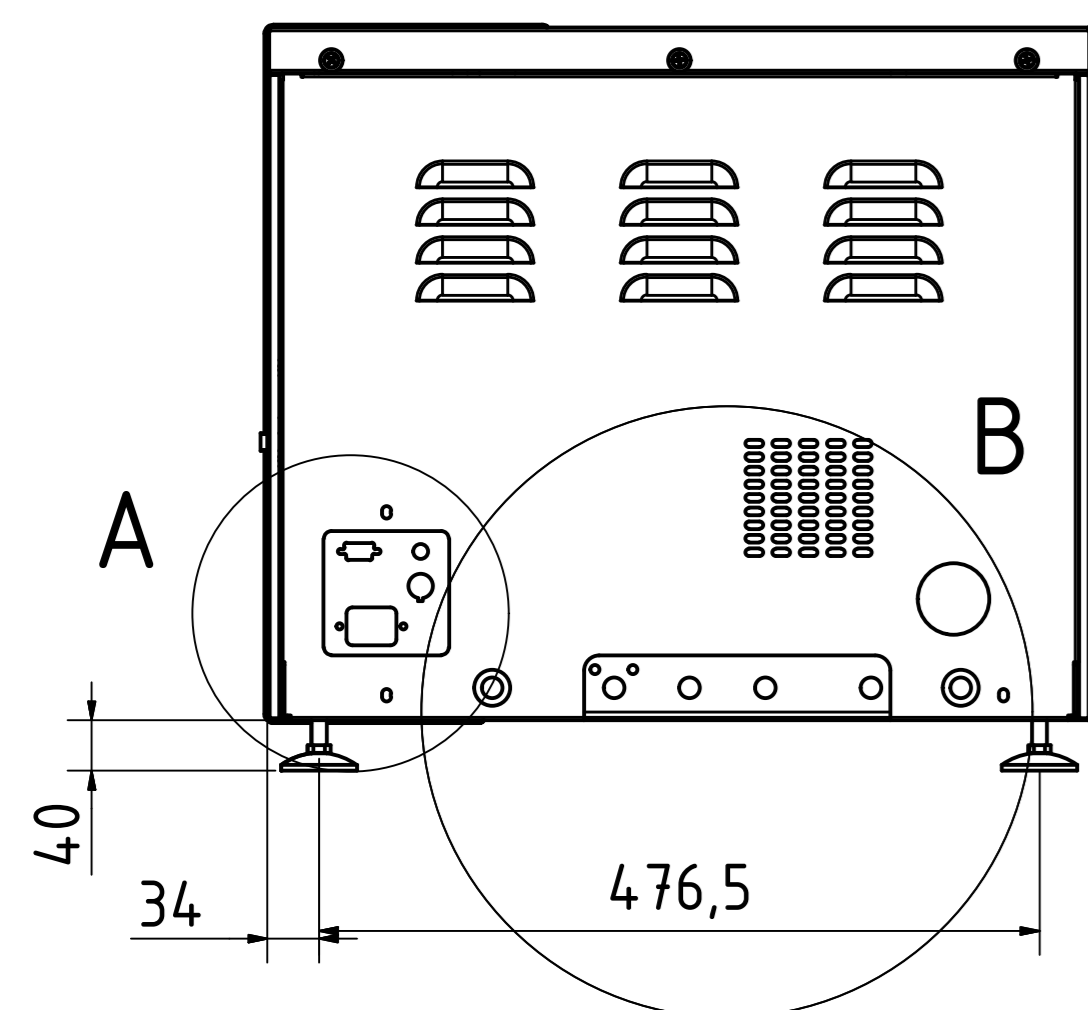
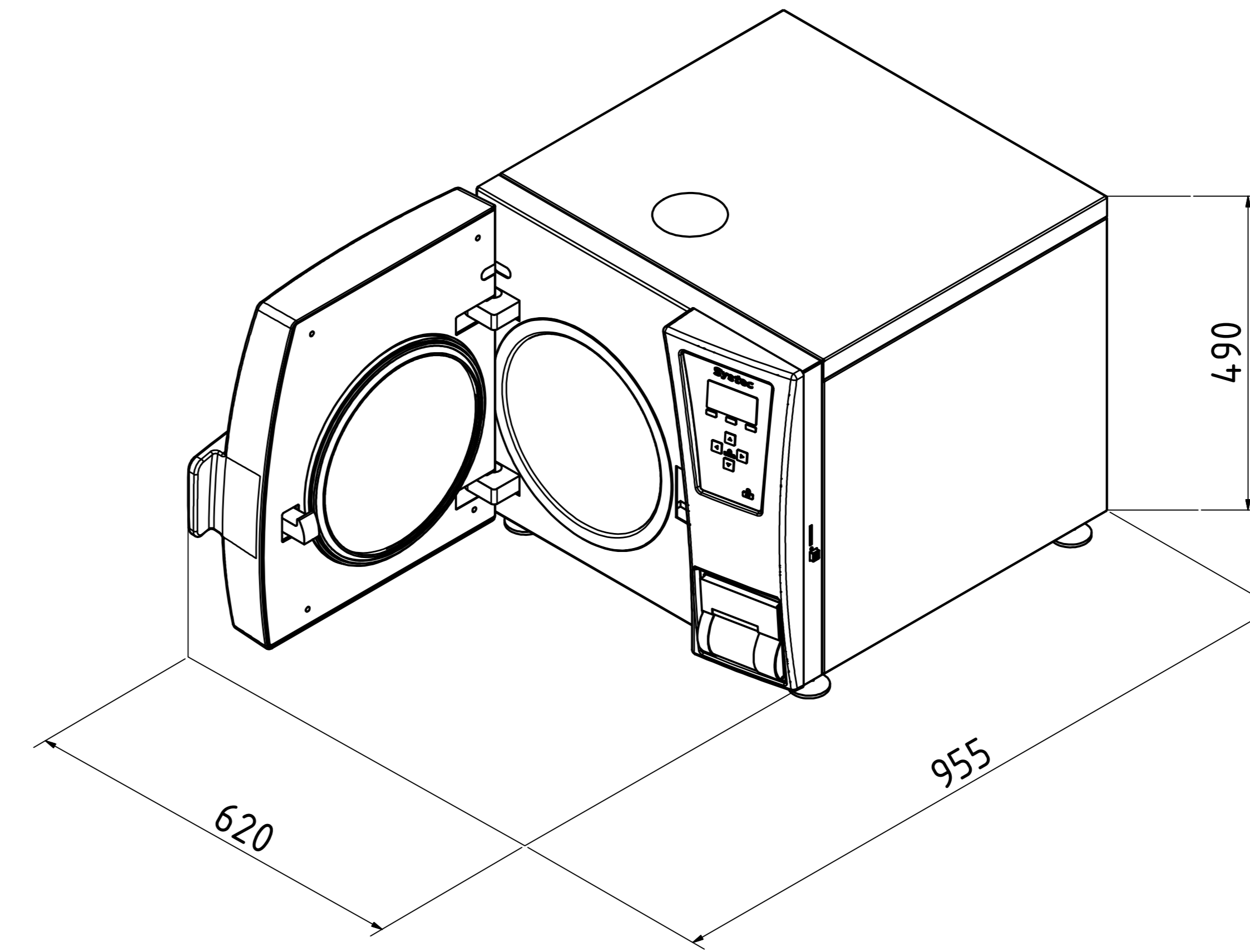
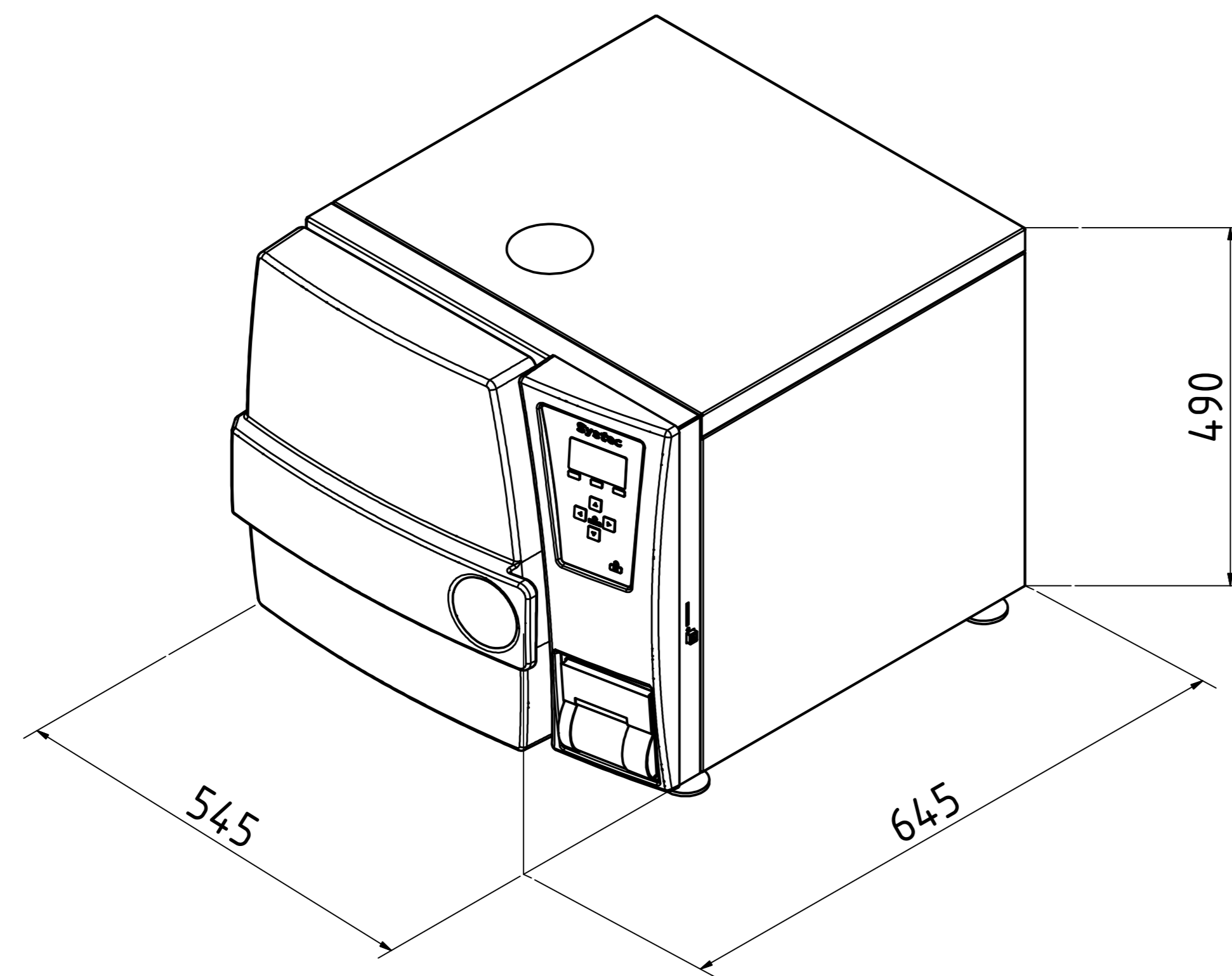
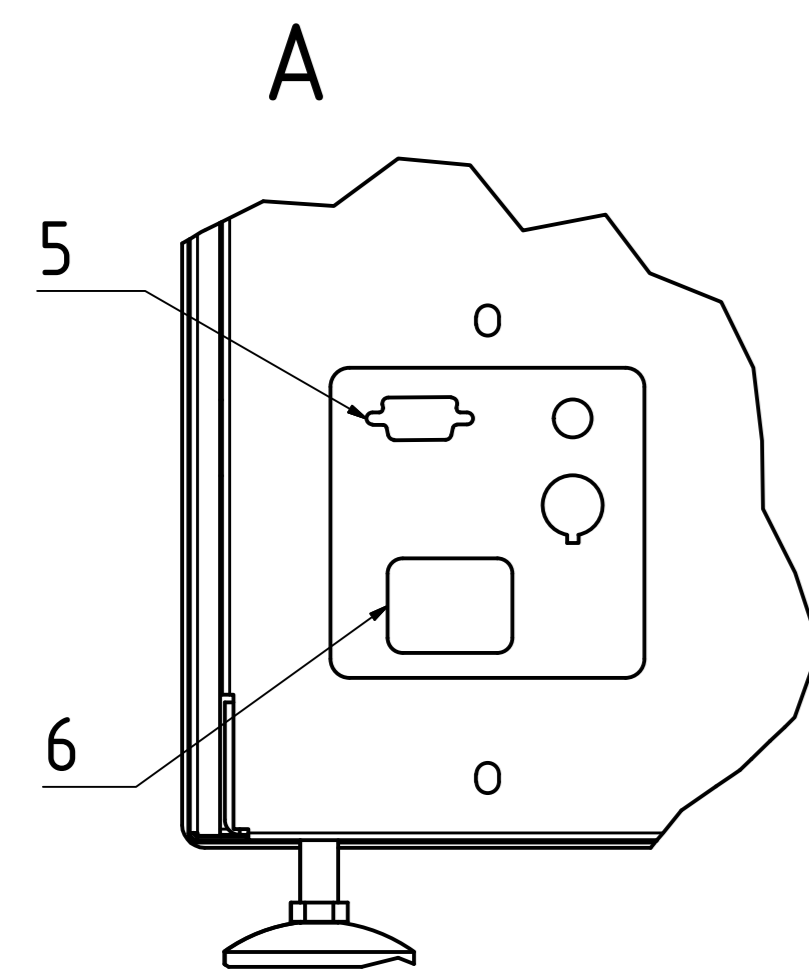
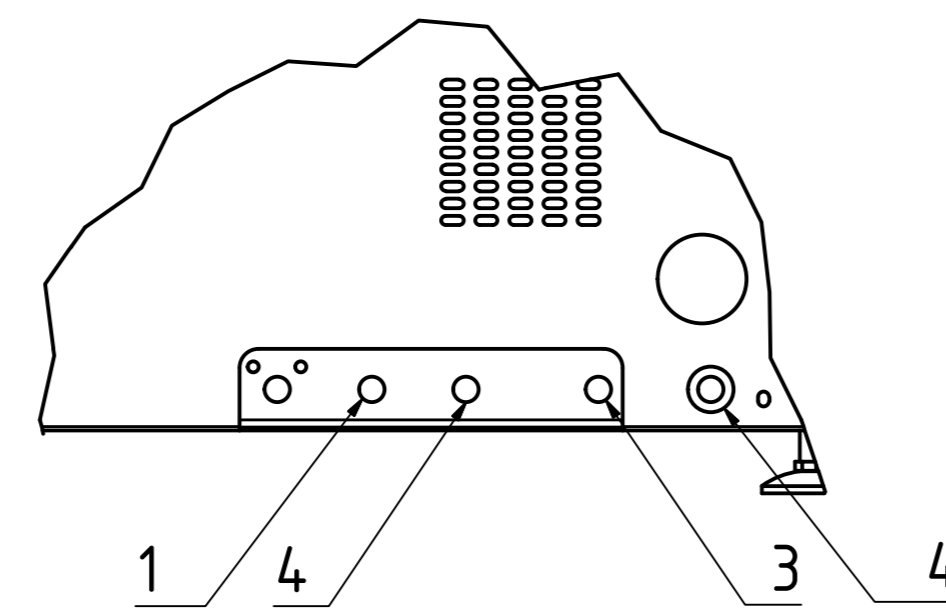


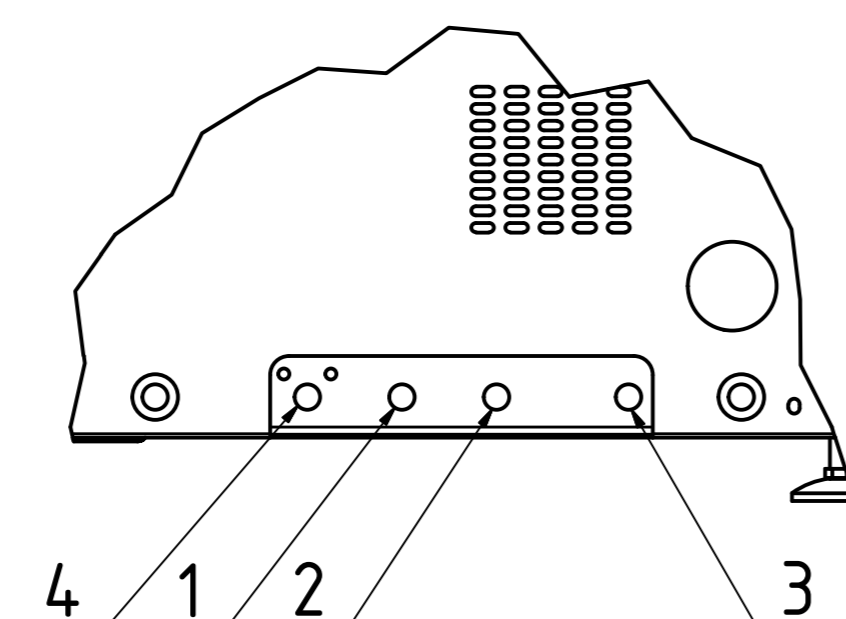
Systemec D-23



B2 (Systemec DB / Systemec DE)



B1 (Systemec DX)



Technical data						Comments
No.	Description	Size	DX	DE	DB	
1	Tap water*	3/4" ET	X	X	--	≥ 1bar water pressure Σ alkaline earth ions ≤ 2,0 mmol/l, conductivity max. 300 µS/cm, 11°dH, 200mg/l CaCO3
2	Demineralized water*	3/4" ET	X	0	--	≥ 1bar water pressure Σ alkaline earth ions < 0,02 mmol/l, conductivity: 0,1 - 15 µS/cm
3	Compressed air	NW 7,2	0	0	--	min. 3-10bar / 50l/min., ≤ Class 4 according to DIN ISO 8573, Only with "water cooling with support pressure"
4	Drain	3/4" ET	X	X	X	Systemec DX and Systemec DE Temperature-resistant installation (103°C in case of failure) Temperature is controlled at 70°C (setable) Systemec DB Temperature-resistant installation up to 103°C No controlled temperature, Drain height max. ≤ 40cm above the floor
5	Interface		X	X	--	RS-232 / RS-485 (Ethernet Network and USB compatible)
6	Power supply* ²		X	X	X	1x230V+N+PE / 50/60Hz / 16 Ampere / CEE 7/4 socket, Type F

	Art.No.: DX	Art.No.: DE	Art.No.: DB	Heat emission	Net weight	Test weight* ³
Systemec D-23	1923	1523	1900	<400 Watt/h	80 kg	103 kg

X = Standard 0 = Optional -- = Not Available Length dimensions in mm

* Other media connections available on request

*² Other voltages available on request

*³ Test weight: chamber completely filled with water for pressure test

Contact area of the feet: 1963.5mm² per foot - Total 7854mm² for 4 pieces (Ø50mm)

ISO 2768 T1-m	13.00.2016	Systemec D-23	Rev.: 1	A0
Systemec		Zng.-Nr.: AZ 1923 EN	Rev.: 1	
We are exclusive company				