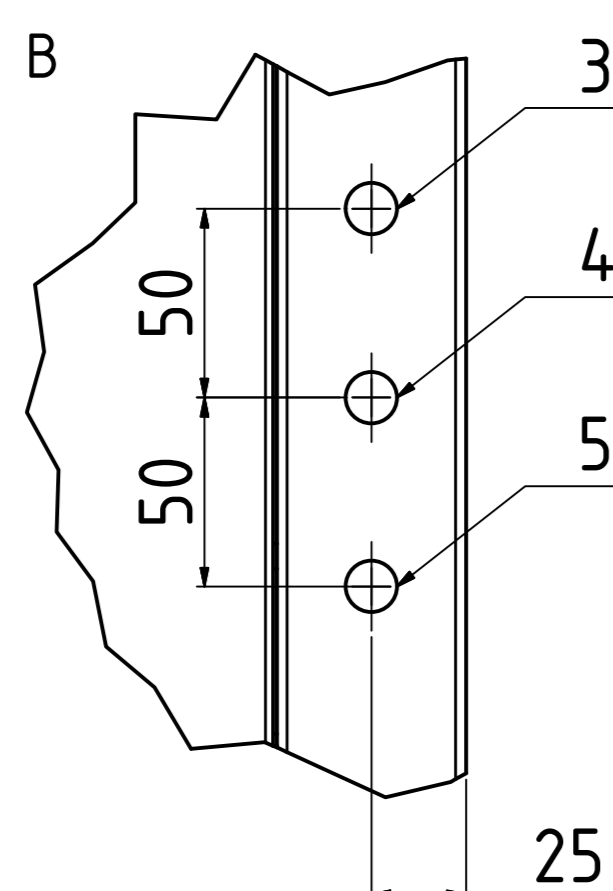
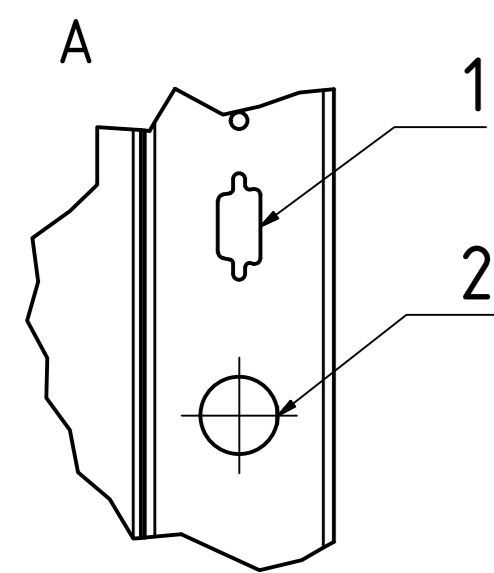
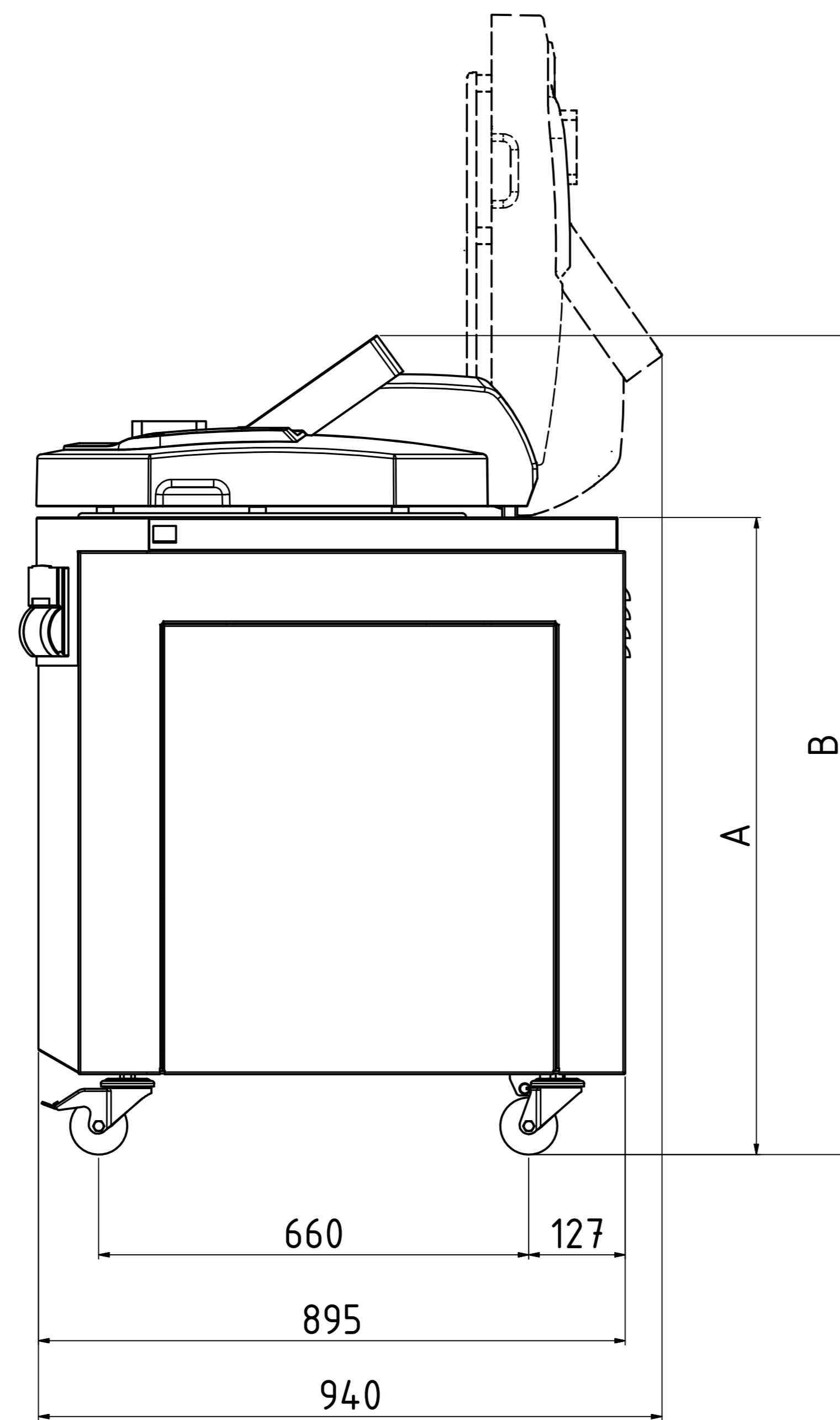
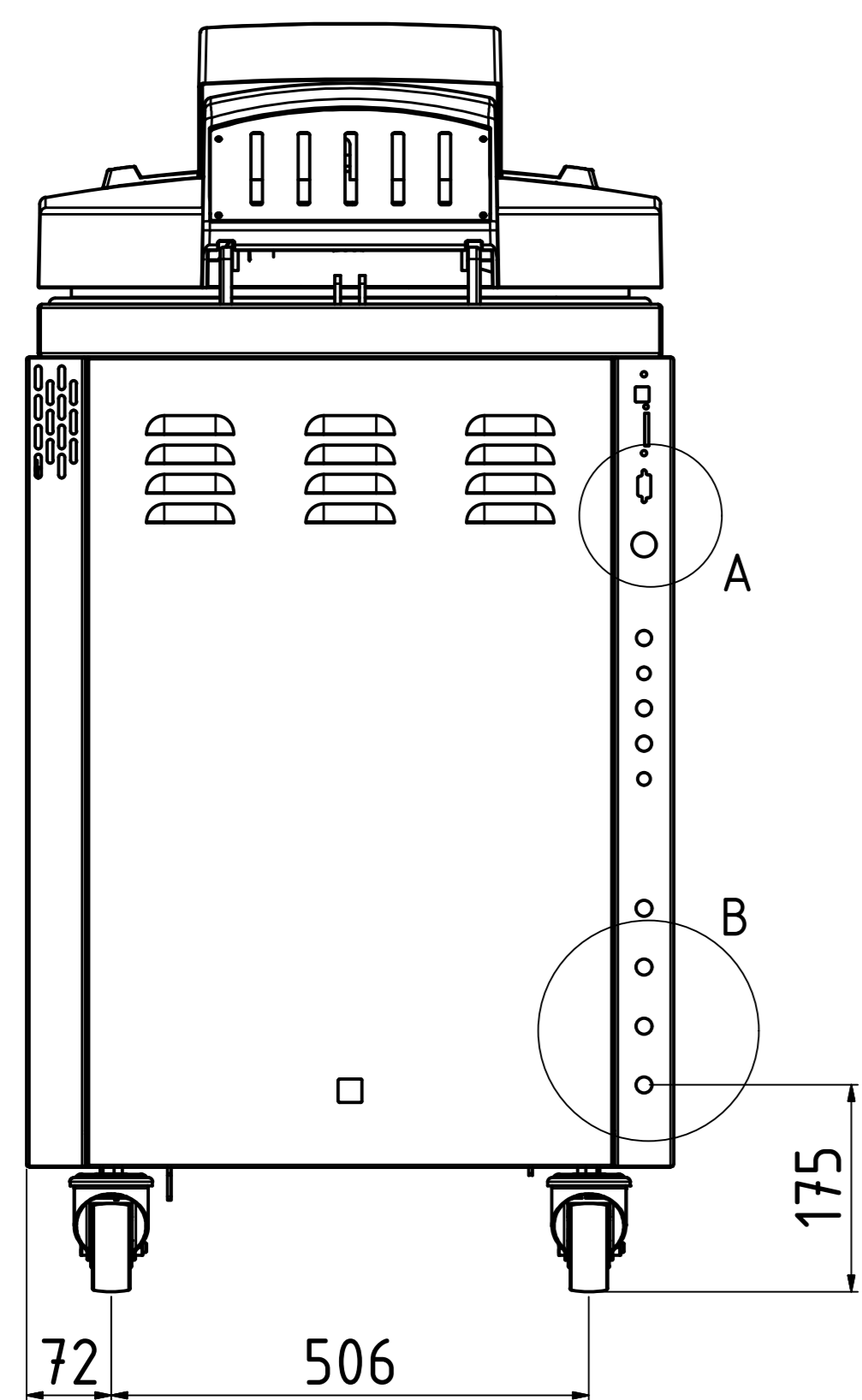
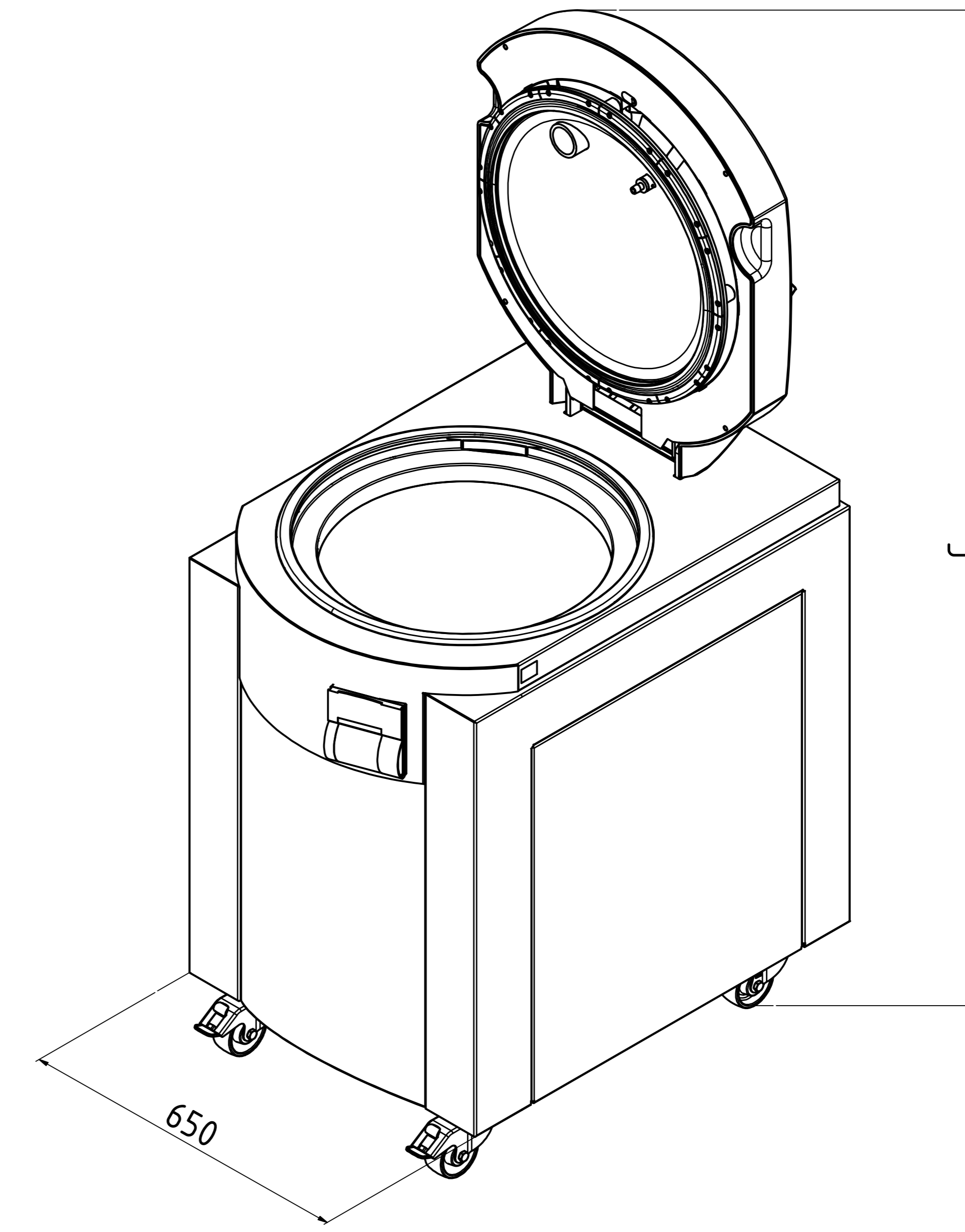
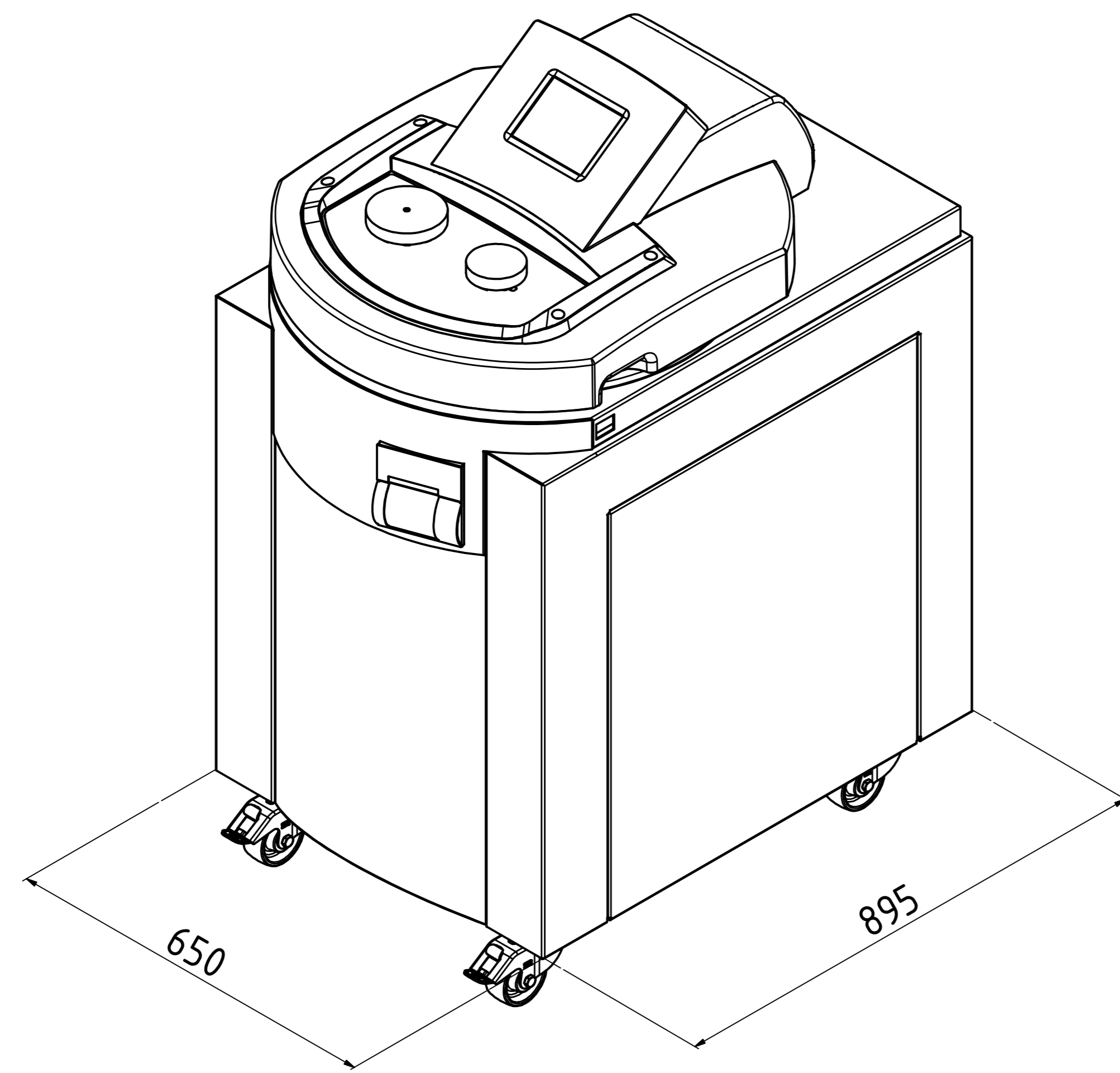


# Systemec Mediaprep-90 / Mediaprep-120



Technical data				
No.	Description	Size	Mediaprep	Comments
1	Interface		X	RS-232 (Ethernet network and USB compatible)
2	Power supply*		X	3x400V+N+PE / 32Ampere / CEE socket
3	Demineralized water* <sup>3</sup>	Quick-release coupling	X	3/4 external thread on site, ≥ 1bar water pressure Σ alkaline earth ions < 0,02 mmol/l, conductivity 0,1 - 15 µS/cm
4	Tap water* <sup>3</sup>	Quick-release coupling	X	3/4 external thread on site, ≥ 1bar water pressure Σ alkaline earth ions ≤ 2,0 mmol/l, conductivity max. 300 µS/cm, 11°dH, 200mg/l CaCO <sub>3</sub>
5	Drain	Quick-release coupling	X	Temperature-resistant installation (103°C in case of failure) Temperature controlled at 70°C (setable)

	Art.No.	A	B	C	Heat emission	Net weight	Test weight* <sup>2</sup>
Systemec Mediaprep-90	1790	870	1110	1650	< 800 Watt/h	200 kg	326 kg
Systemec Mediaprep-120	1820	1000	1240	1780	< 800 Watt/h	220 kg	382 kg

X = Standard    0 = Optional    -- = Not Available    Length dimensions in mm

\* Other voltages available on request

\*<sup>2</sup> Test weight: Chamber completely filled with water for pressure test

\*<sup>3</sup> The included hose is required 3/4" external thread on site

General tolerance ISO 2768 T1-m	Surface Ra	Scale 1:1	Material Stainless steel	Weight
Author Date	Checked Date	Released Date	Notes	
Systemec Mediaprep-90 / Mediaprep-120			Zng.-Nr.: AZ 1790 EN Rev.: 0 1 A0	
Systemec We are exclusive company				