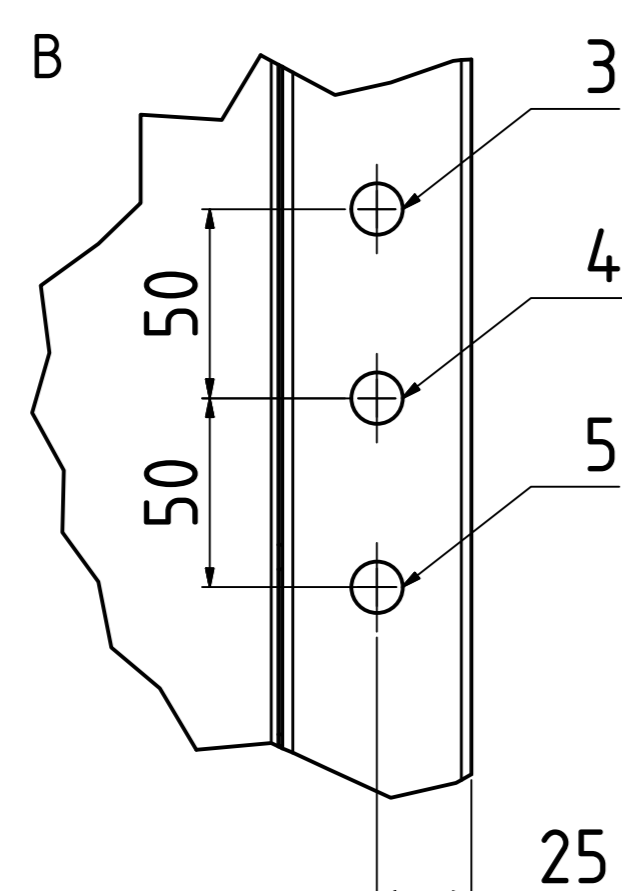
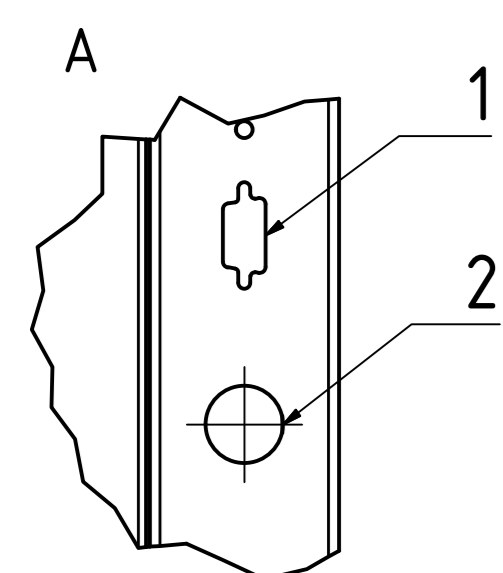
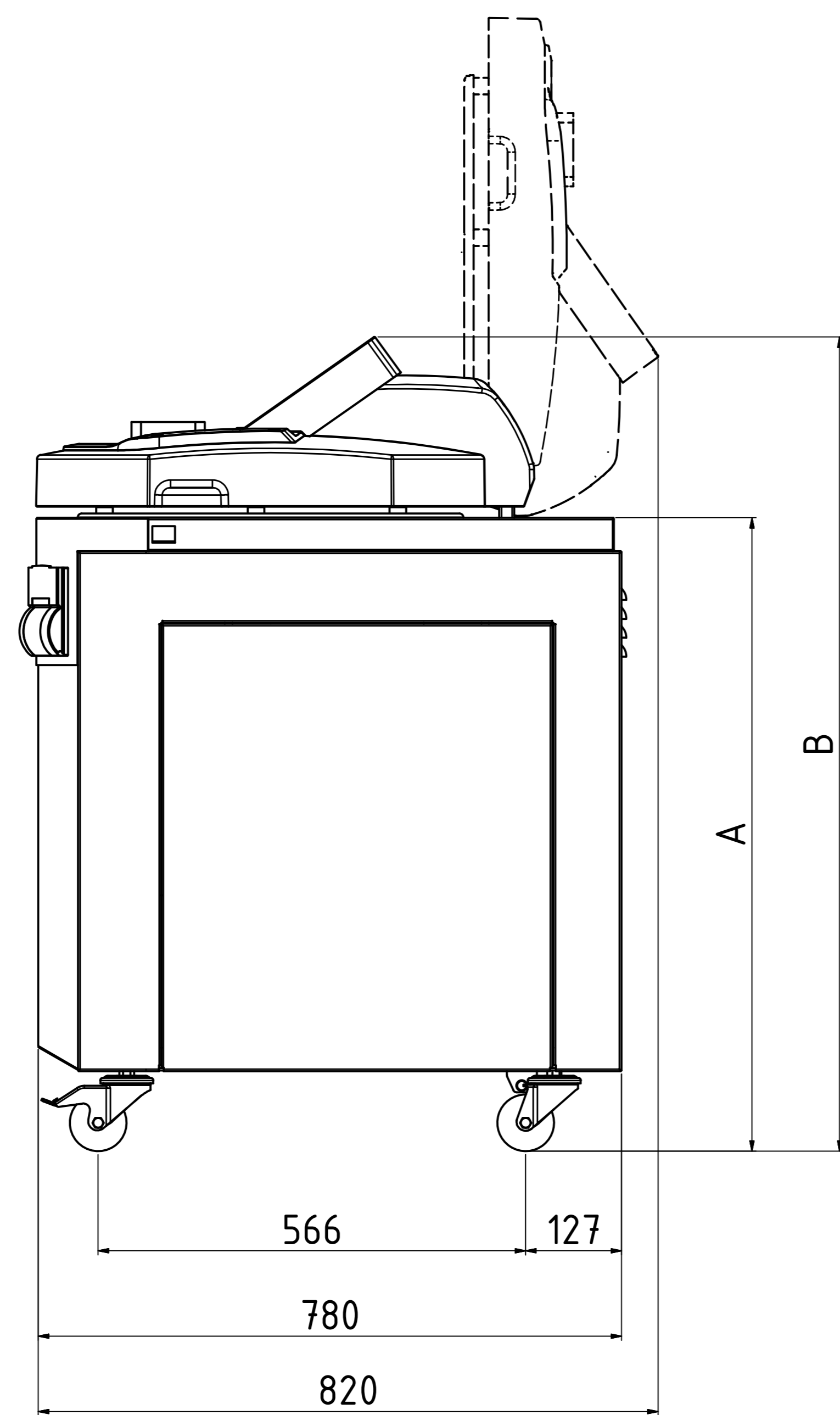
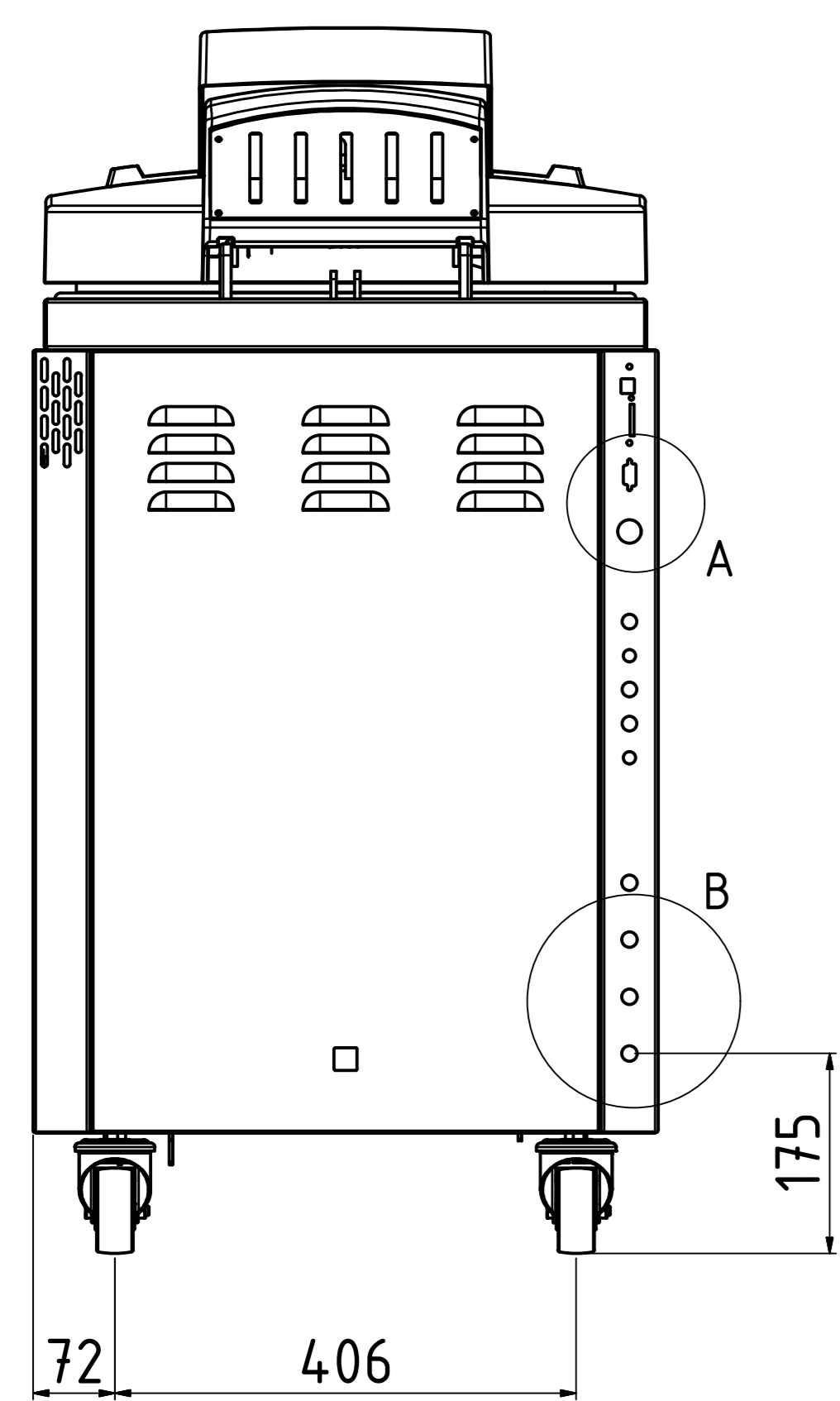
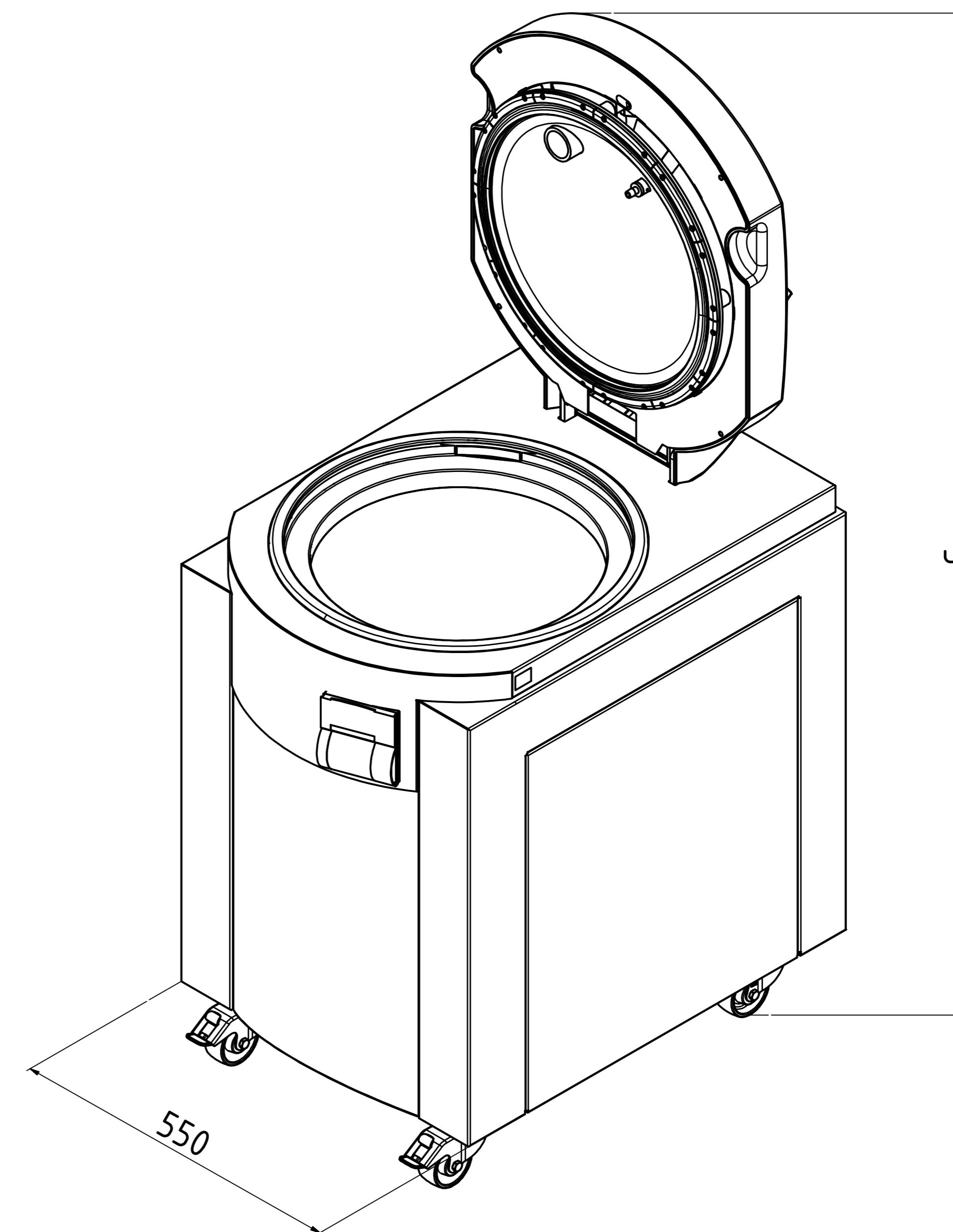
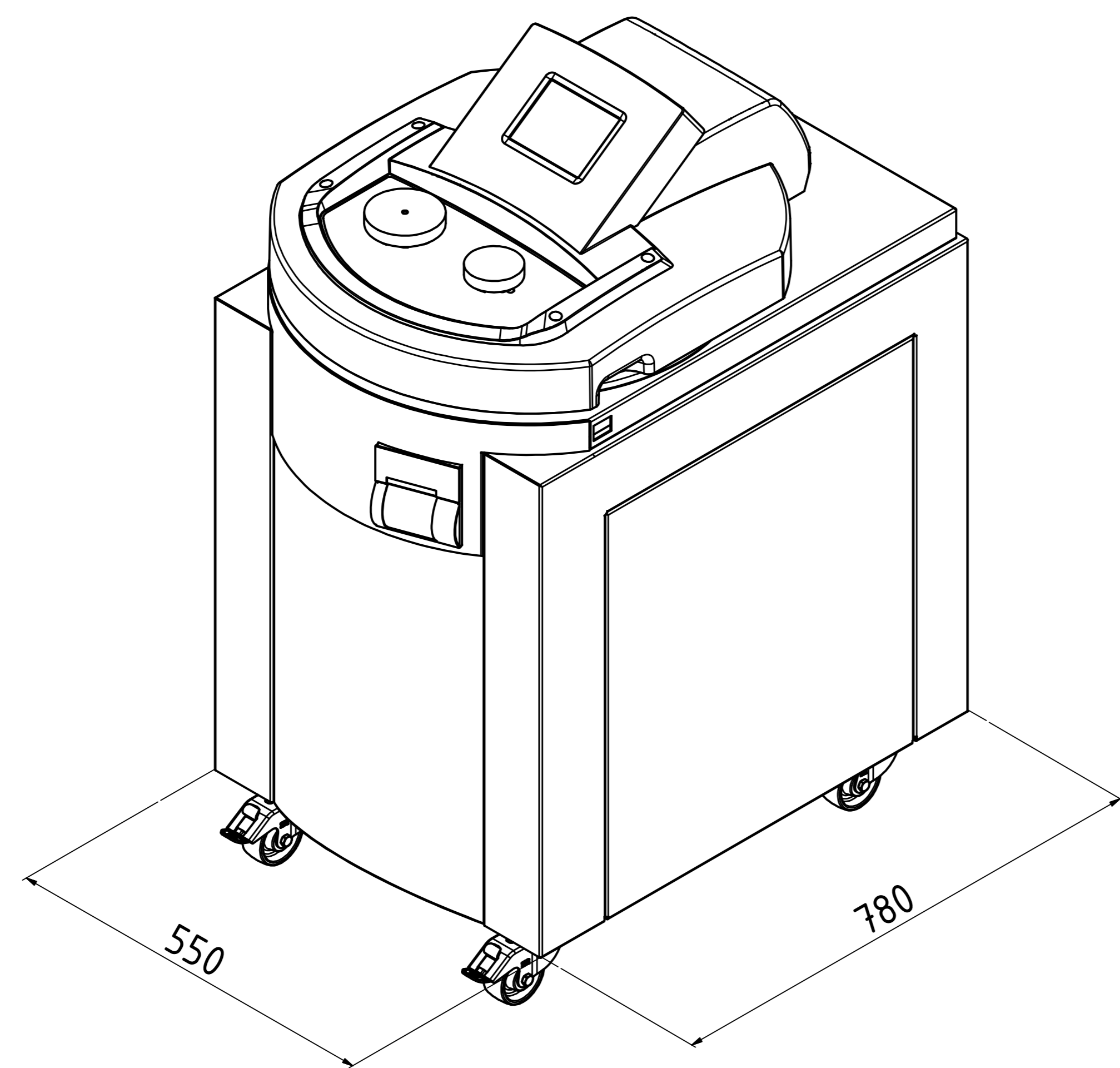


Systemec Mediaprep-45 / Mediaprep-65



Technical data				
No.	Description	Size	Mediaprep	Comments
1	Interface		X	RS-232 (Ethernet network and USB compatible)
2	Power supply*		X	3x400V+N+PE / 32Ampere / CEE socket
3	Demineralized water* ³	Quick-release coupling	X	3/4" external thread on site, ≥ 1bar water pressure Σ alkaline earth ions < 0,02 mmol/l, conductivity 0,1 - 15 µS/cm
4	Tap water* ³	Quick-release coupling	X	3/4" external thread on site, ≥ 1bar water pressure Σ alkaline earth ions ≤ 2,0 mmol/l, conductivity max. 300 µS/cm, 11°dH, 200mg/l CaCO ₃
5	Drain	Quick-release coupling	X	Temperature-resistant installation (103°C in case of failure) Temperature controlled at 70°C (setable)

	Art.No.	A	B	C	Heat emission	Net weight	Test weight* ²
Systemec Mediaprep-45	1745	840	1080	1500	< 700 Watt/h	165 kg	230 kg
Systemec Mediaprep-65	1765	970	1210	1630	< 700 Watt/h	185 kg	275 kg

X = Standard 0 = Optional -- = Not Available Length dimensions in mm

* Other voltages available on request

*² Test weight: Chamber completely filled with water for pressure test

*³ The included hose is required 3/4" external thread on site

Allgemein- toleranz ISO 2768 T1-m Datum Oberfläche Werkstoff: Bemerkung:	Maßstab: Systemec Mediaprep-45 / Mediaprep-65	Gewicht:
Systemec We are exclusive company	Zng.-Nr.: AZ 1745 EN	Rev.: 0 1 A0